

SECURECOM

SC-GSM lite

Analog phone line simulator (GSM gateway)

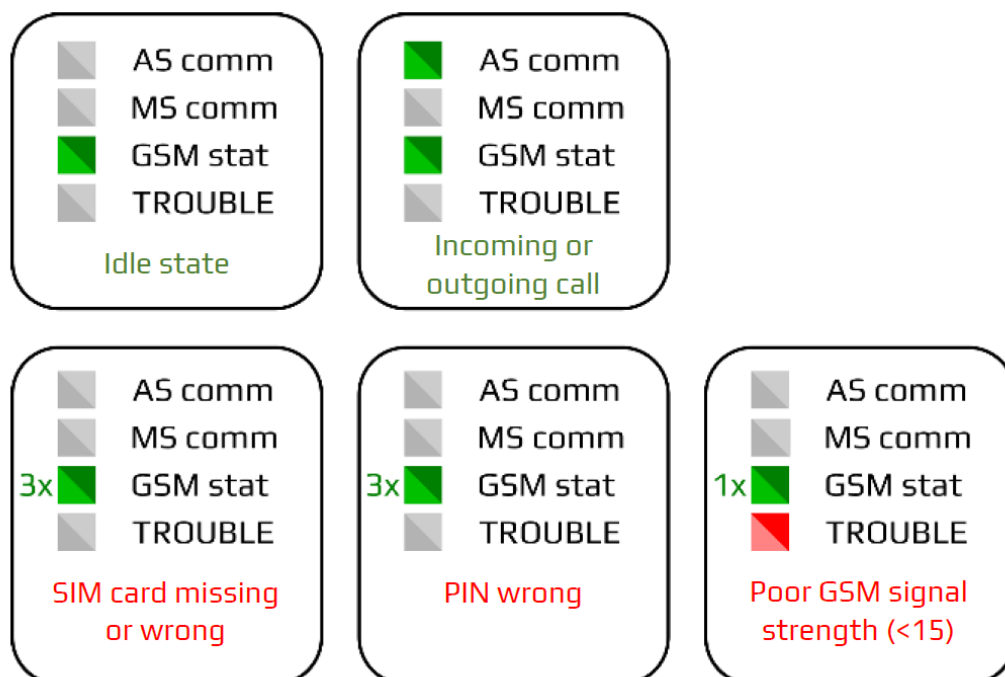
The device is fully replaces phone line. By this means the alarm control panel can send the report codes to monitoring station, or a simple phone device can be used on places where the phone line is not available (elevators, SOS or INFO call points, weekend houses,...).

The SC-GSM lite doesn't need any configuration before setting up.

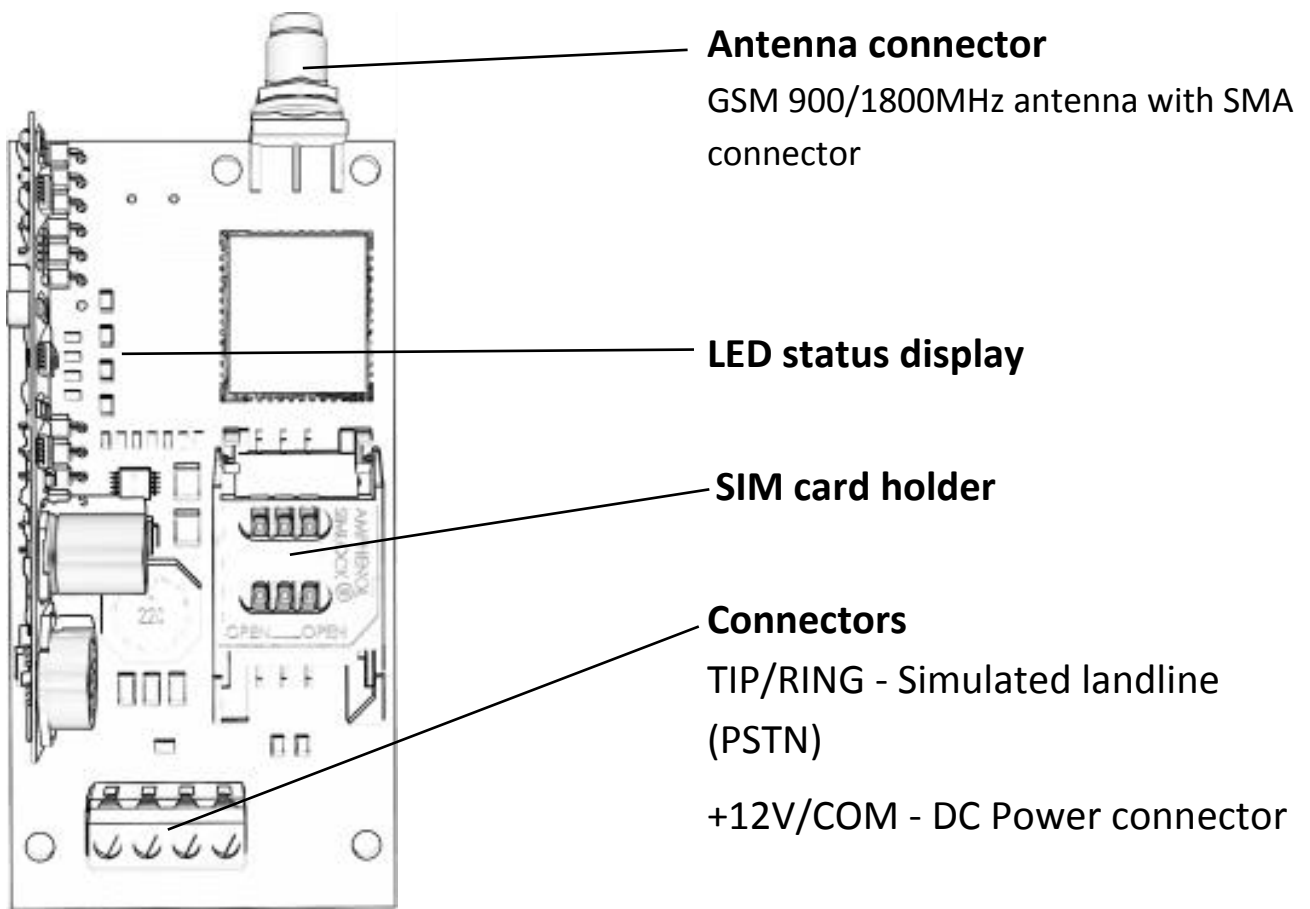
Technical specification

Power	9-30V (DC)
Power consumption	300mA (max.) / 100mA (idle)
Communication	GSM (850/ 900/ 1800/ 1900MHz)
Operating temperature	0...+70°C
Size	40x75x15mm

LED Signals



Product layout



Connection

1. In order to operate properly, the device must be equipped with a valid SIM card and the PIN code lock must be disabled. The SIM card should be inserted to the card holder “door” (the moving part of card holder), as shown on picture.
2. The external antenna must be connected to the antenna connector.
3. The TIP and RING terminals of the Securecom device provides an emulated phone line. Connect these terminals where the PSTN (regular phone line) is supposed to be connected to the device that will use this communicator.
4. Securecom communicators must be powered from an external power supply (connected to terminals +12V and COM). The device will be functional with any power voltage between 9 and 30 V DC is applied to the terminals.